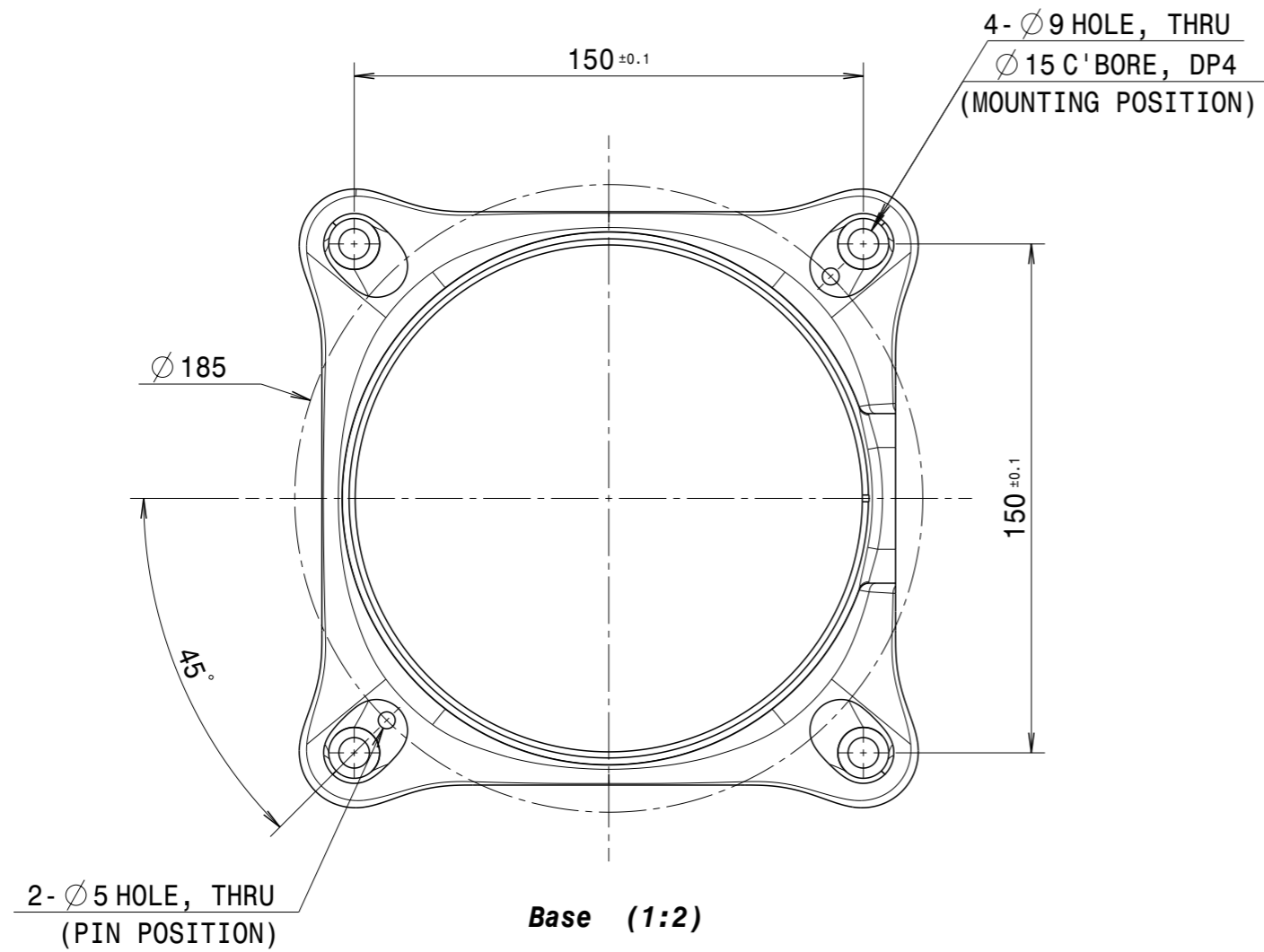
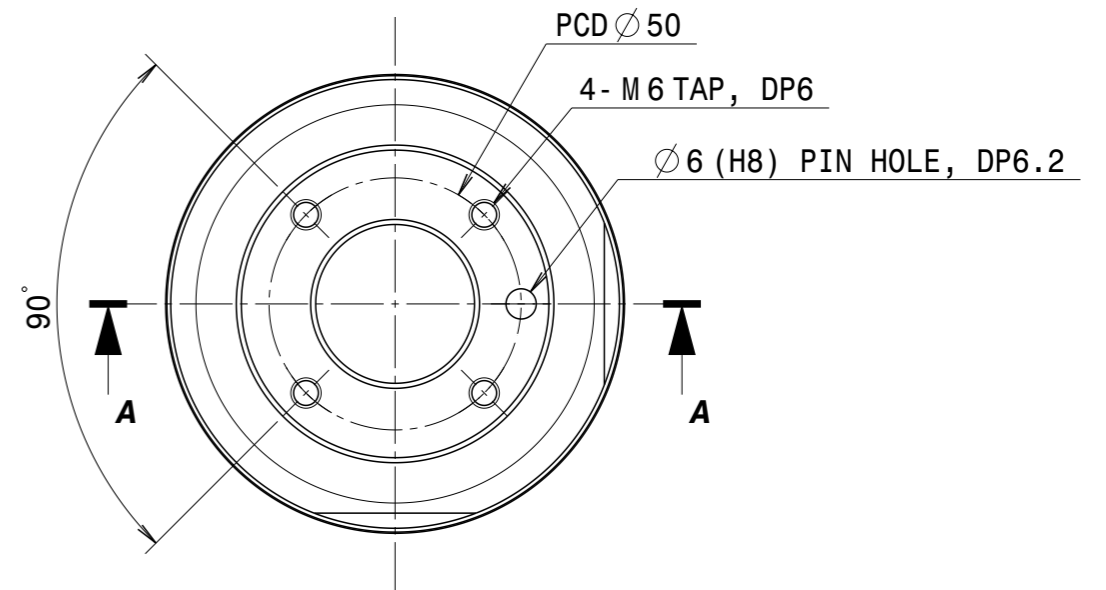


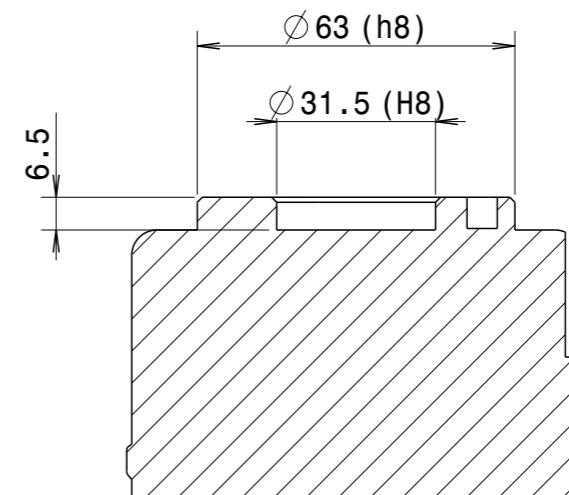
[BASE & FLANGE]



Base (1:2)



Tool Flange (2:3)



Section view A-A (2:3)

JOINT RANGE	
AXIS	WORKING AREA (SOFTWARE LIMIT) / DEGREE
1	-360 ~ 360
2	-360 ~ 360
3	-165 ~ 165
4	-360 ~ 360
5	-360 ~ 360
6	-360 ~ 360
PAYLOAD	6kg
REACH	1700mm

TITLE	LAYOUT		Q'TY	1
MODEL	M0617		W.T (kg)	34
SERIES	MAT.		SCALE	
M-SERIES	DRG. NO.	A3		
DATE	21.03.03			
		DOOSAN		